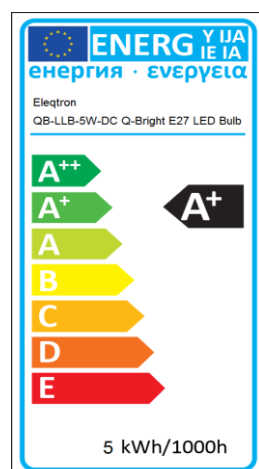


TECHNICAL DATA LED AR111 KHTW15W - Khun tunnable white AR111 15W

Wattage	15W
CCT options	2700-5700K
CRI(Ra>) options	90
Luminous flux (based on 2700K Ra>92)	700lm
SDCM (based on 2700K Ra>92)	<3
Socket	Plug
Input voltage	220-240V
Input current	70mA
Lifetime (L70/ B50)	50000 hours
Working temperature	-30-+40°C
1000H lumen maintenance	99-99.5%
Degree beam angle	24°/ 36°/48°
UGR (unified glare rating)	<16
Size	L70 x D111mm
CE	Yes
Rohs	Yes

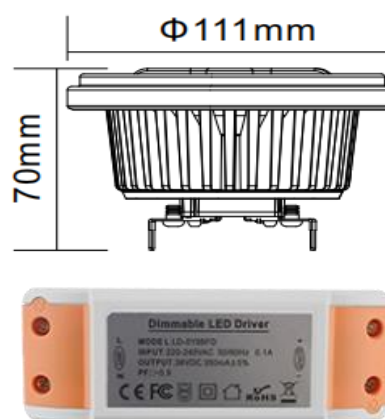
Energy label



15 kWh/1000h



A



Driver	External Driver
Size	L115 x W45 x H28mm
Isolated driver	Yes
Dimmable	Yes, Wifi by Tuya
Input voltage	195-265V
Rated input voltage	220-240V
Input current	70mA
Output voltage	30-42V
Output current	350mA CC ±5%
Power factor	>0.95
THD (total harmonic distortion)	<20
Working temperature	-30-+40°C
Short-circuit-proof with safety insulation	Yes
Not load protection	Yes
Over load protection	Yes
Protection class II device	Yes
Independent gear	Yes
Safety extra-low-voltage	Yes